

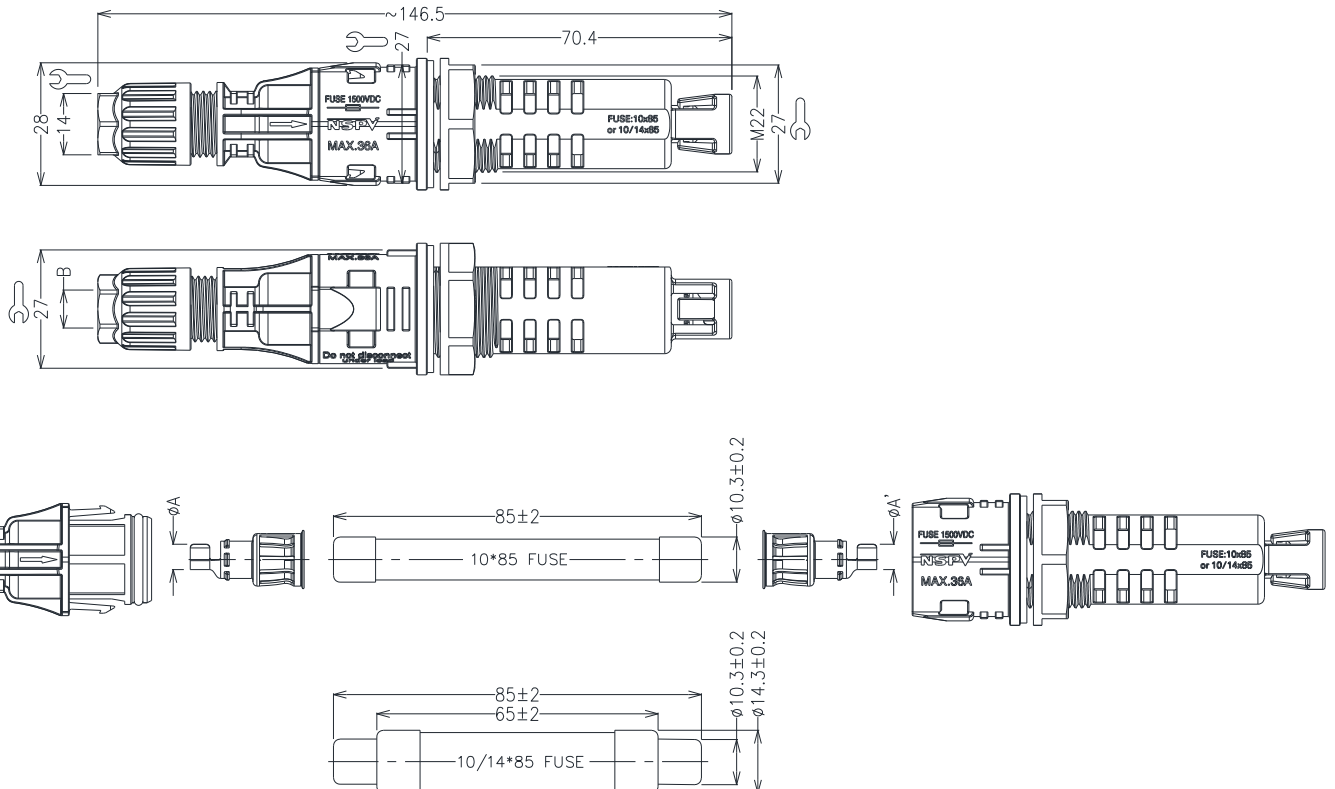
## 1500VDC光伏4.0面板式保险丝连接器 1500VDC PV 4.0 Panel Fuse Connector

### 产品规格: Product Specifications:

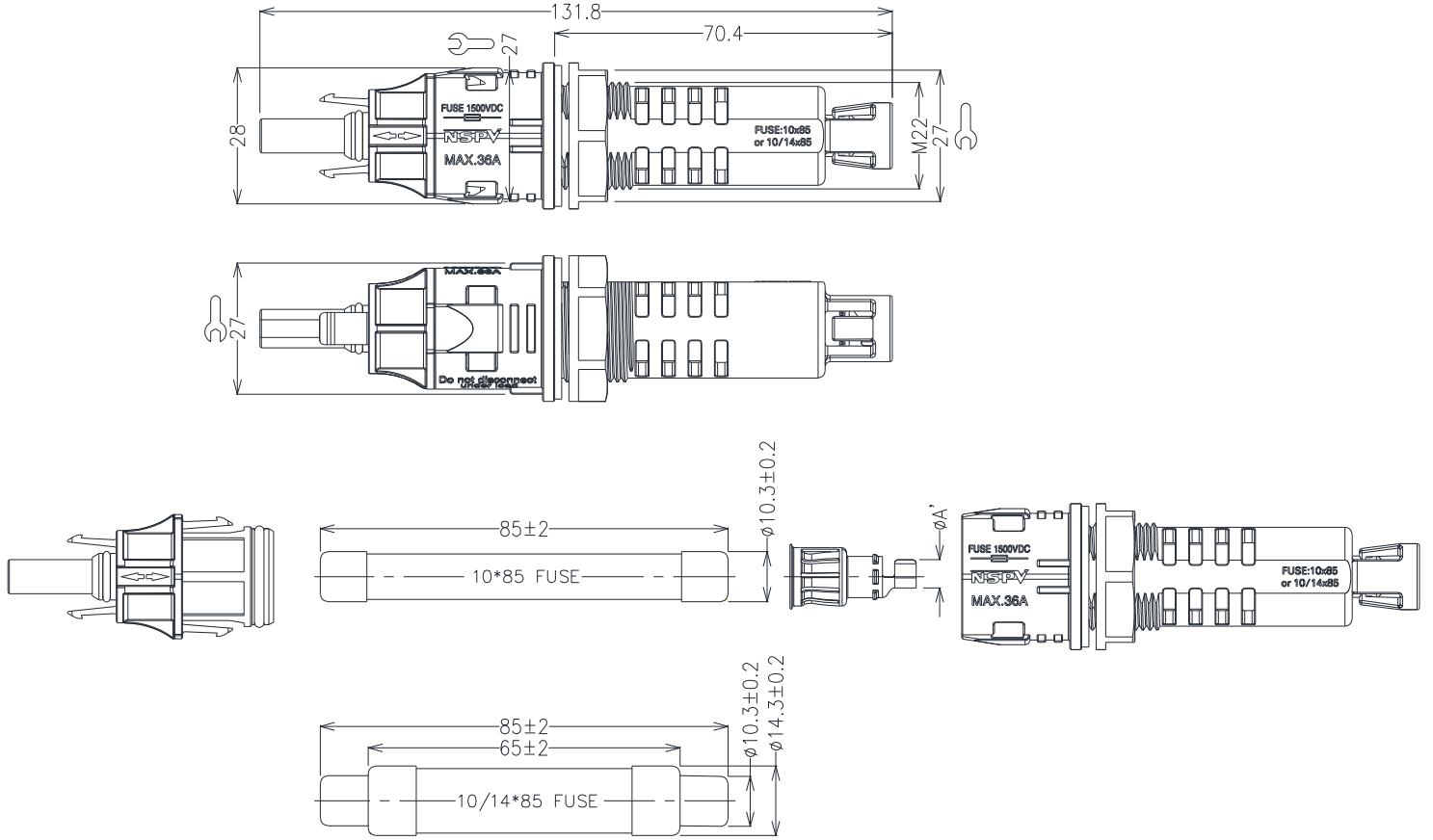
绝缘材料 Insulation material	PPE/PA	保险丝规格 Fuse Specification	1A-50A
额定电流 (不含保险丝) Rated current (Without fuse)	50A	安全等级 Safety degree	II
额定电压 Rated voltage	1500VDC	阻燃等级 Flame class	UL94-V0
最大的测试电压(含保险丝) Maximum voltage (With fuse)	1575V	环境温度范围 Ambient temperature range	-40°C...+85°C (IEC) *
连接器接触电阻 contact resistance	≤0.25 mΩ	温度上限 Upper limiting temperature	110°C (IEC)
金属导体材料 Contact material	铜,镀锡 Copper, Tin plated	适配电线规格 Suitable cable cross sections	2.5~16mm <sup>2</sup> /14~6AWG
保护等级 Degree of protection	IP68(1m,1H)	适配保险丝尺寸 (mm) Suitable for fuse size(mm)	10*85 or 10/14*85
Rated Impulse voltage 额定脉冲电压	12KV	符合标准 Regulatory approval	TUV,CE

### 图示: Drawing:

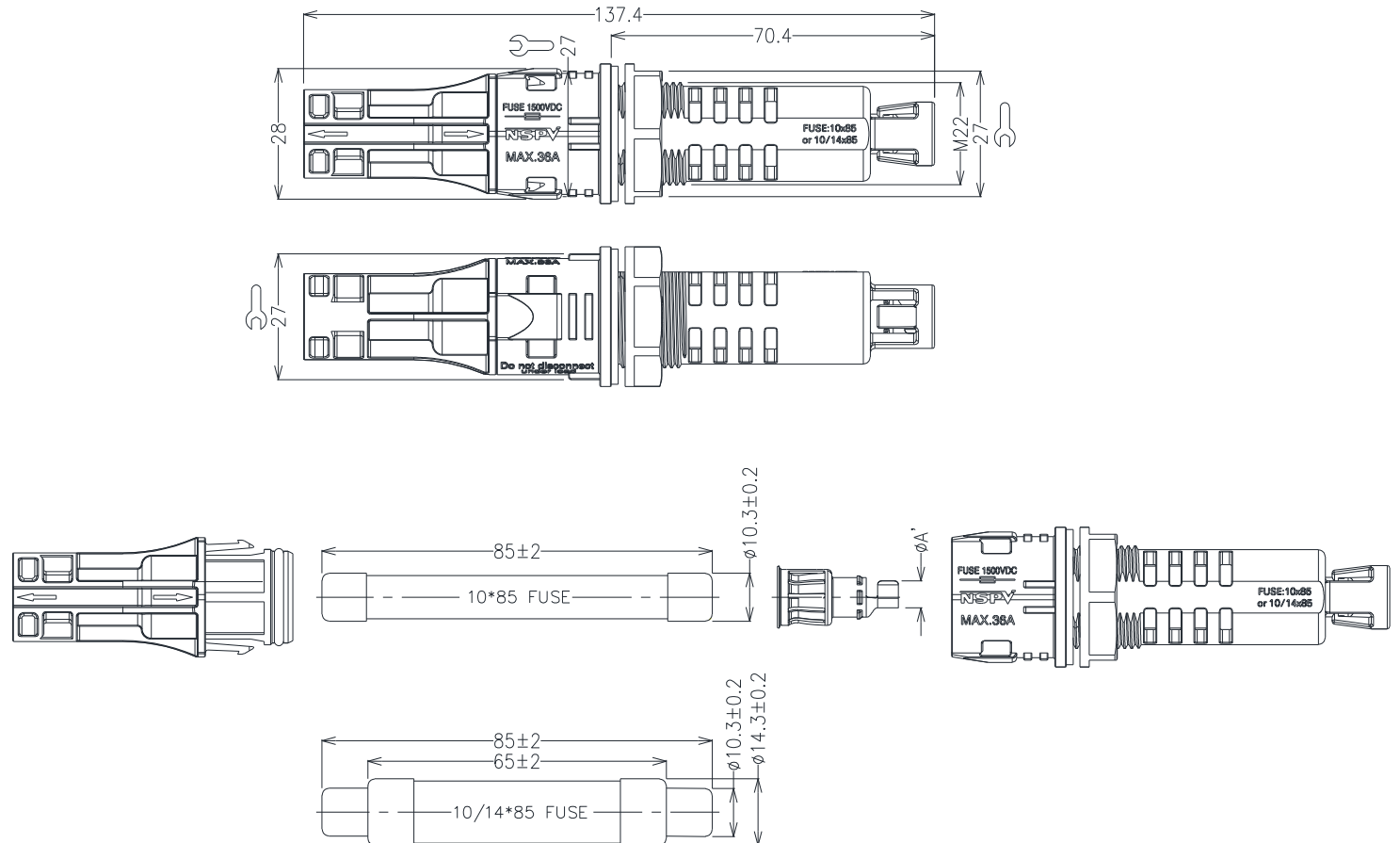
#### 4PFC Panel fuse connector cable end

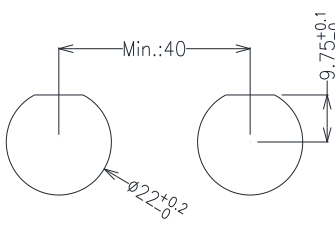
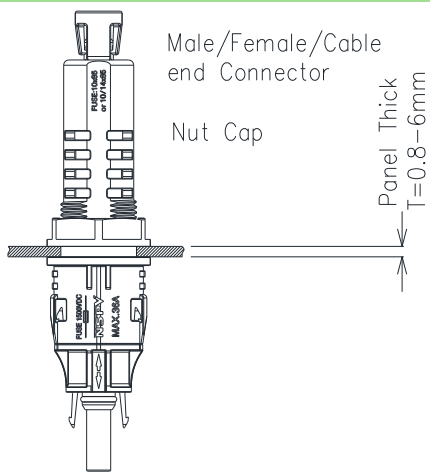



### 4PFF Panel fuse connector female end

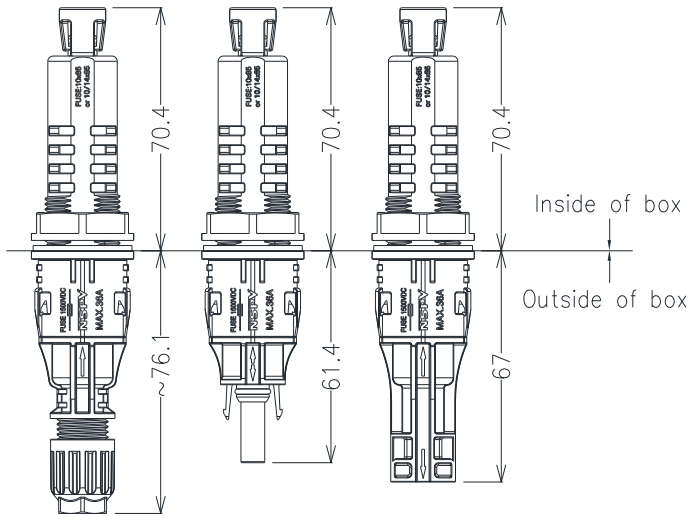


### 4PFM Panel fuse connector male end



面板孔位尺寸 Panel Hole Size	面板尺寸 Panel size	解锁工具 Wrench tool
		

**安装参考尺寸(mm):**  
**Installation reference size(mm):**



**保险丝额定电流:**  
**Fuse Rated current:**

10*85mm	1A	2A	3A	3.5A	4A	10A	15A	20A
10/14*85mm	25A	30A	32A	40A	45A	50A		

**适配电线规格:**  
**Suitable cable cross sections:**

B	电线外径 (mm) Cable O.D. (mm)	电线规格 (m <sup>2</sup> ) Cable Size (m <sup>2</sup> )	端子尺寸(mm <sup>2</sup> ) Terminal size(mm <sup>2</sup> )	A(∅mm)	A'(∅mm)
6.6	4.5-5.4	2.5, 4.0, 6.0	2.5	4.2	4.2
7.2	5.2-6.8	6.0, 10.0	4	5.8	5.8
8.2	6.8-8.2	10	6		
9.5	8.2-9.5	10.0 ~16.0	10-16	8	8

\*建议最高使用环境温度为75摄氏度，且在75-85摄氏度下使用不能超过8小时。

\*Recommended that the Max ambient temperature is 75°C, and not exceed 8 hours in 75-85°C.