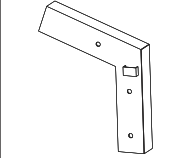
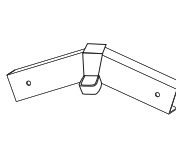
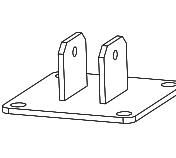
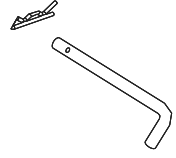
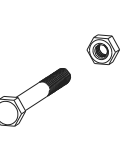
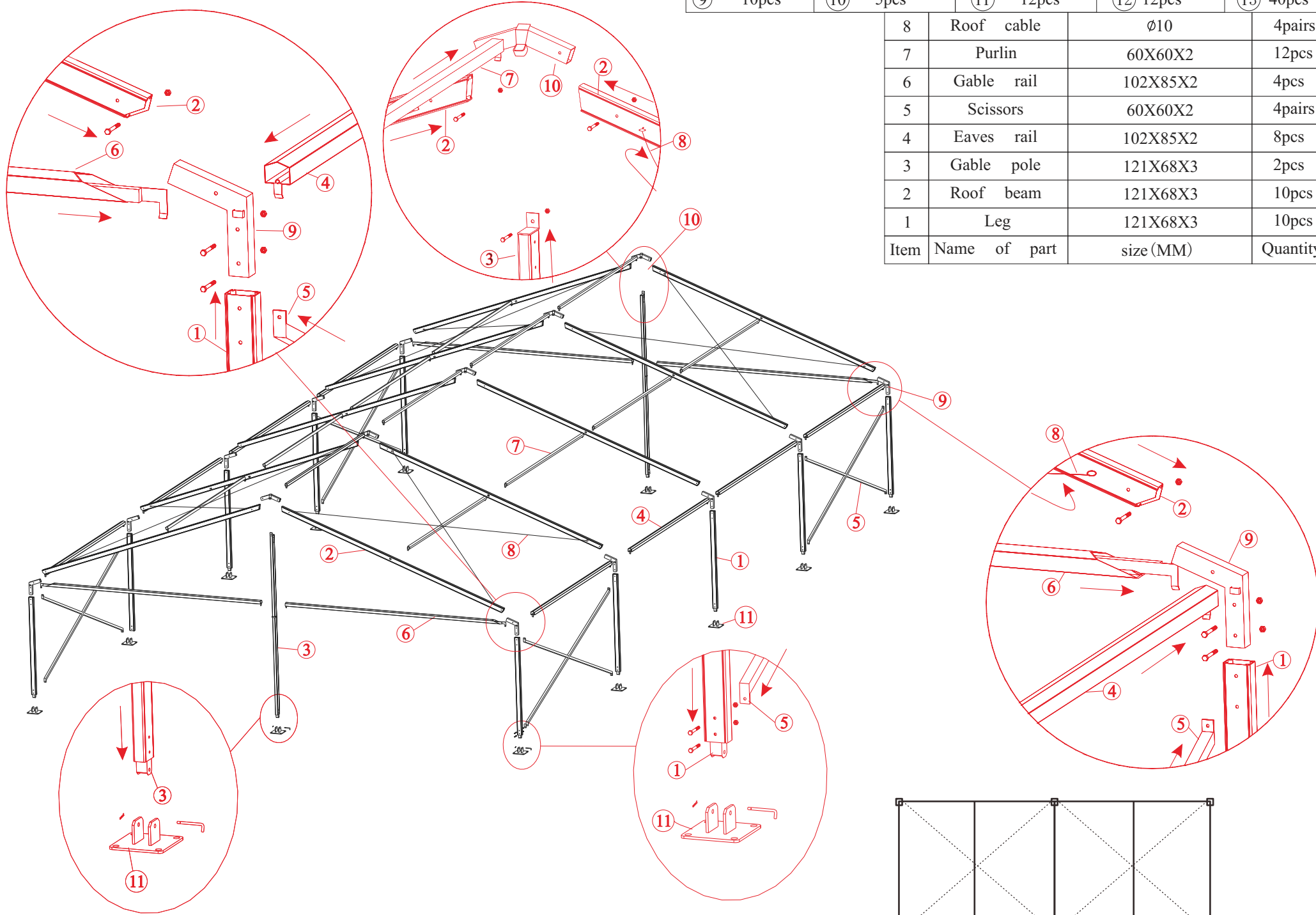
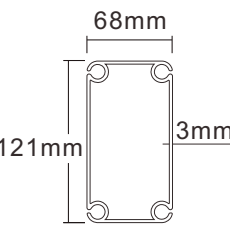
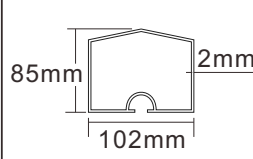
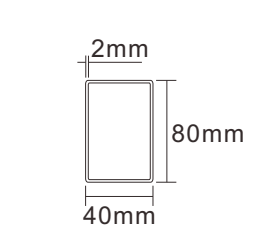
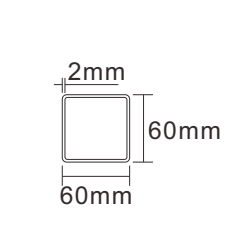



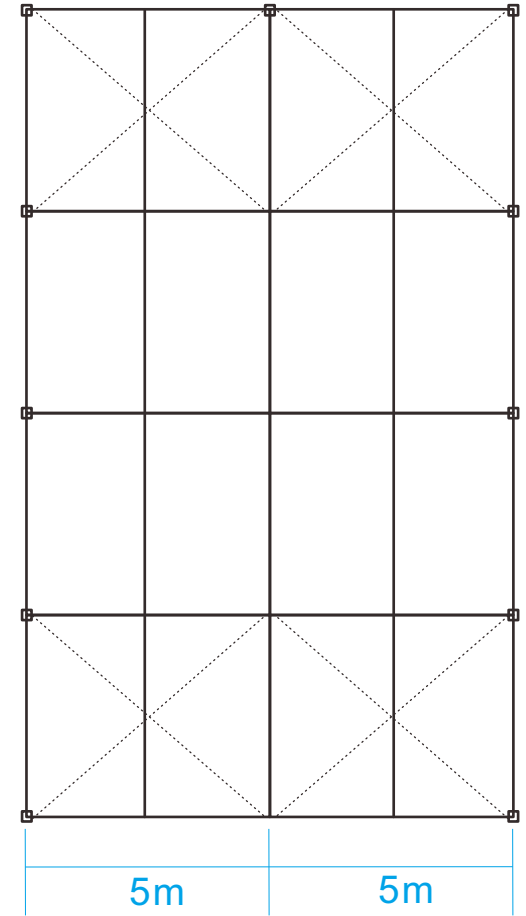
10X20M Tent Modular

				
Corner connector ⑨ 10pcs	Top connector ⑩ 5pcs	Foot plate ⑪ 12pcs	Dowel ⑫ 12pcs	Bolts ⑬ 40pcs

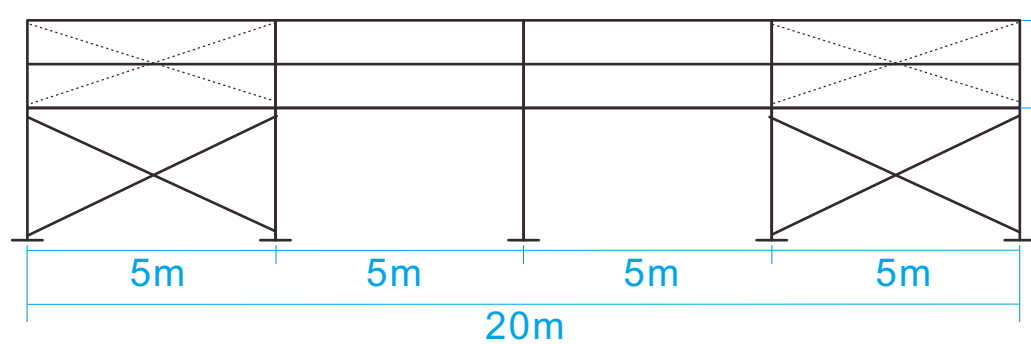


8	Roof cable	Ø10	4pairs
7	Purlin	60X60X2	12pcs
6	Gable rail	102X85X2	4pcs
5	Scissors	60X60X2	4pairs
4	Eaves rail	102X85X2	8pcs
3	Gable pole	121X68X3	2pcs
2	Roof beam	121X68X3	10pcs
1	Leg	121X68X3	10pcs
Item	Name of part	size (MM)	Quantity

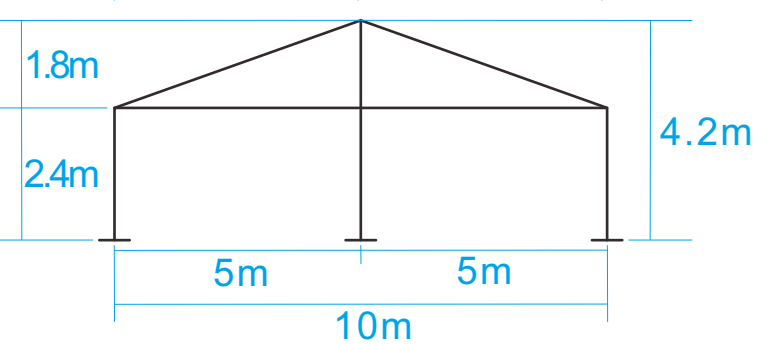
主要管截面 Main profile				
 <p>立柱 leg 斜梁 roof beam</p>	 <p>篷檐横梁 eave purlin 山墙横梁 gable pole 篷顶檩条 ridge purlin</p>	 <p>布顶压杆 cover downside rail</p>	 <p>中间檩条 intermediate purlin</p>	 <p>围帘压杆 sidewall downside rail</p>



顶视图 top view

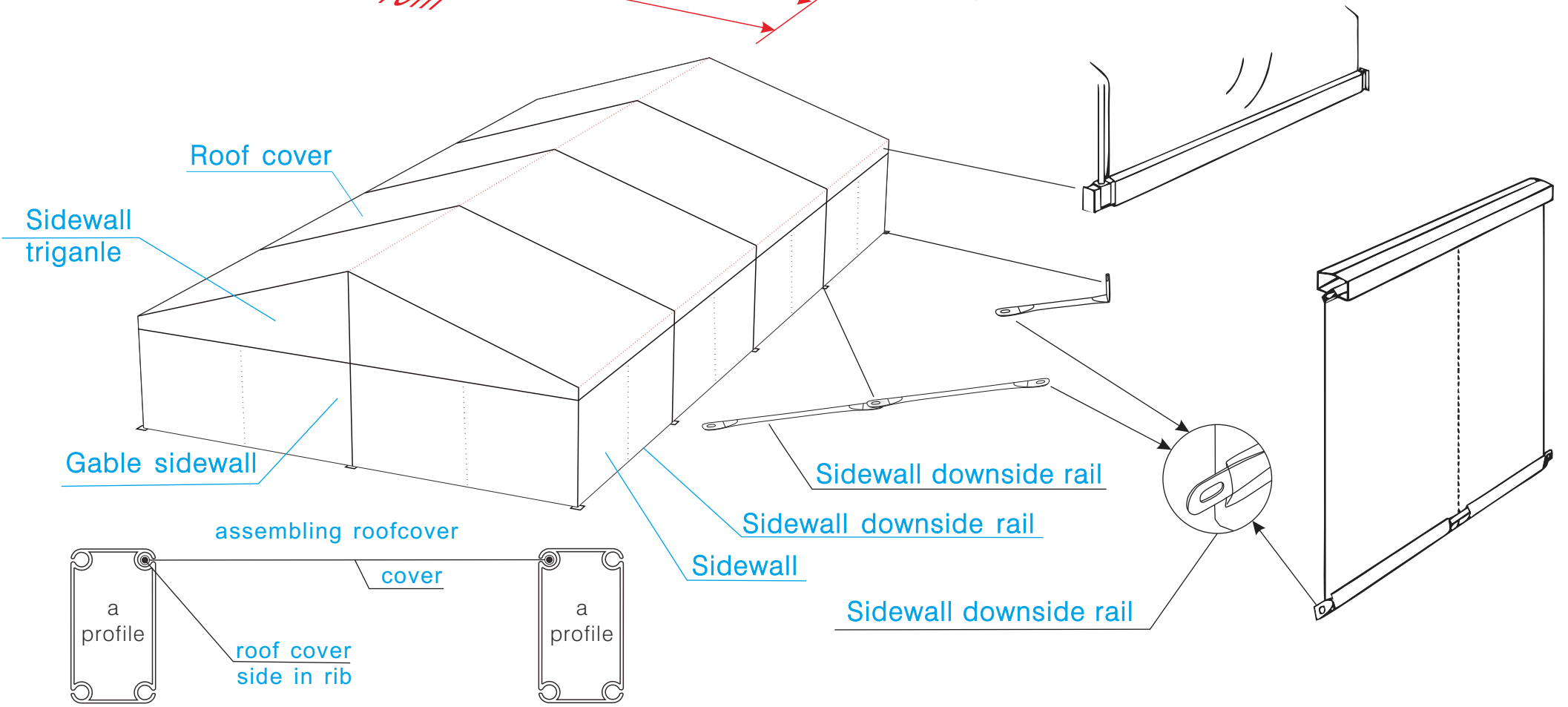
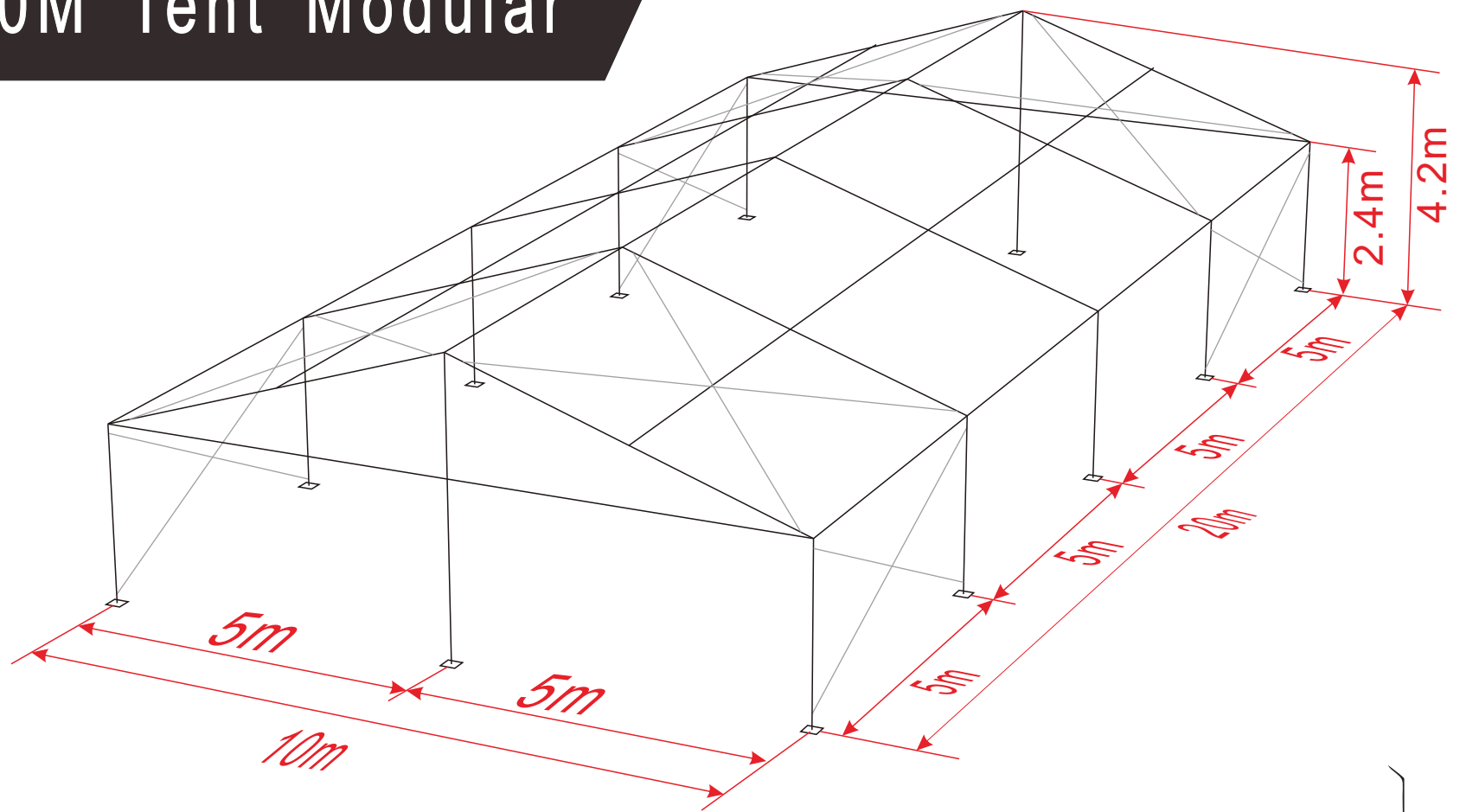


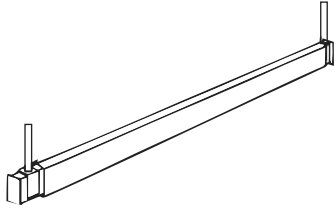
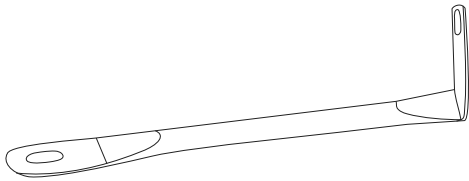
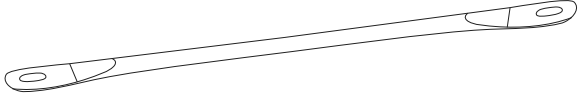
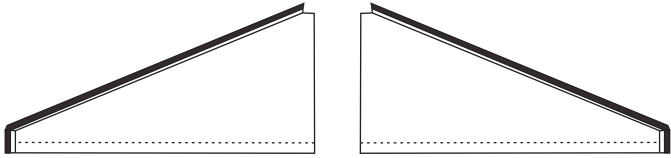
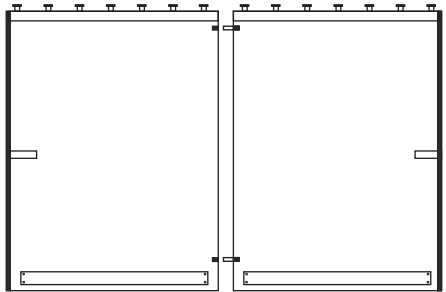

正视图 front view



左视图 left view

10X20M Tent Modular



		
Cover downside rail 12pcs	Sidewall downside rail 4pcs	Sidewall downside rail 8pcs
		
Sidetriangles 2pairs	Gable sidewall 12pairs	Cover 4pcs